

PRODUCT DESCRIPTION:

AMC MODEL MSNN-5DR-035T-CS00318-01 IS A SLIM LINE SINGLE POLE FIVE THROW SOLID STATE SWITCH THAT WORKS FROM 0.1 GHz TO 18 GHz WITH A BUILT IN TTL DRIVER.

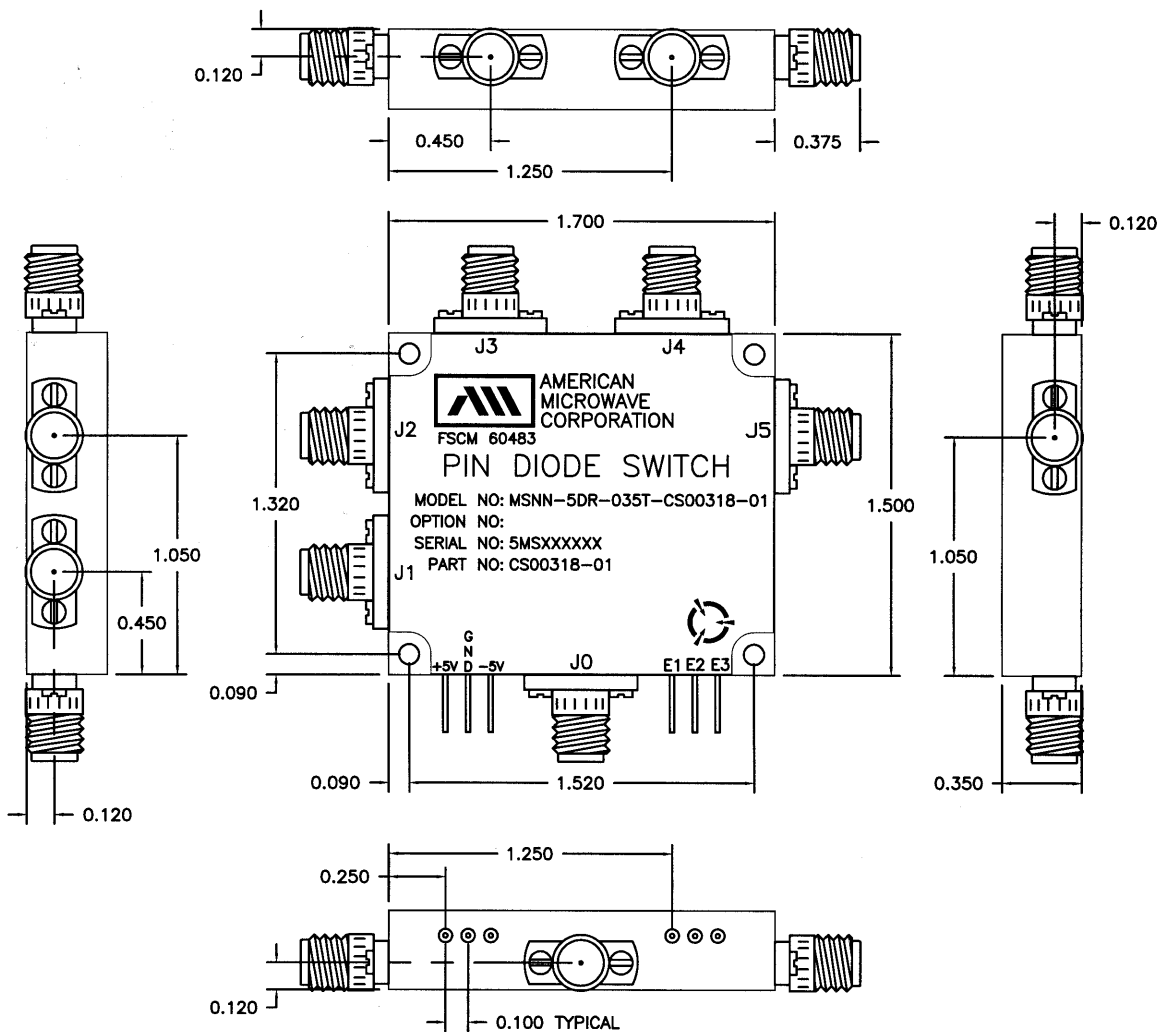
ZONE		REV.	DESCRIPTION	DATE	APPROVED
		-	ORIGINAL RELEASE	5/19/08	
JOB# 303038E					

SPECIFICATIONS:

- FREQUENCY RANGE: 0.1 TO 18 GHz
- INSERTION LOSS: 4.0 dB MAXIMUM
- ISOLATION: 60 dB MINIMUM
- VSWR: 2.2:1
- RF POWER RATING: +23 dBm CW MAXIMUM
- SWITCHING TIME: 100 nSec MAXIMUM
- CONTROLS: SEE LOGIC TABLE BELOW
- DC POWER SUPPLY: +5V @ 150 mA MAXIMUM
 -5V @ 50 mA MAXIMUM
- SIZE: 1.70L x 1.50W x 0.35H

LOGIC TABLE

SELECT	E1	E2	E3
J1	0	0	0
J2	0	0	1
J3	0	1	0
J4	0	1	1
J5	1	0	0
OFF	1	1	1



ENVIRONMENTAL RATINGS:

TEMPERATURE RATINGS:

- OPERATING: -55°C TO +85°C
- NON-OPERATING: -65°C TO +125°C
- HUMIDITY: 20% TO 95% NON-CONDENSING
- ALTITUDE RATINGS:
- OPERATING: SEA LEVEL TO 10,000 ft.
- NON-OPERATING: SEA LEVEL TO 50,000 ft.

*NOTE: THE ABOVE SPECIFICATIONS ARE SUBJECT TO CHANGE OR REVISION.

ALL DIMENSIONS ARE IN INCHES

TOLERANCES:
X.XX ±0.010
X.XXX ±0.005

CONFIDENTIAL AND PROPRIETARY

APPROVALS		DATE	TITLE		
DRAWN <i>gds</i>		5/19/08	PRODUCT FEATURE		
CHECKED			MSNN-5DR-035T-CS00318-01		
ISSUED			SP5T SWITCH		
SIZE	FSCM NO.	DWG NO.	REV.		
A	60483	100-6610	-		
SCALE	N/A		SHEET	1 OF 3	

AMERICAN MICROWAVE CORPORATION
 FREDERICK, MARYLAND

PRODUCT DESCRIPTION:

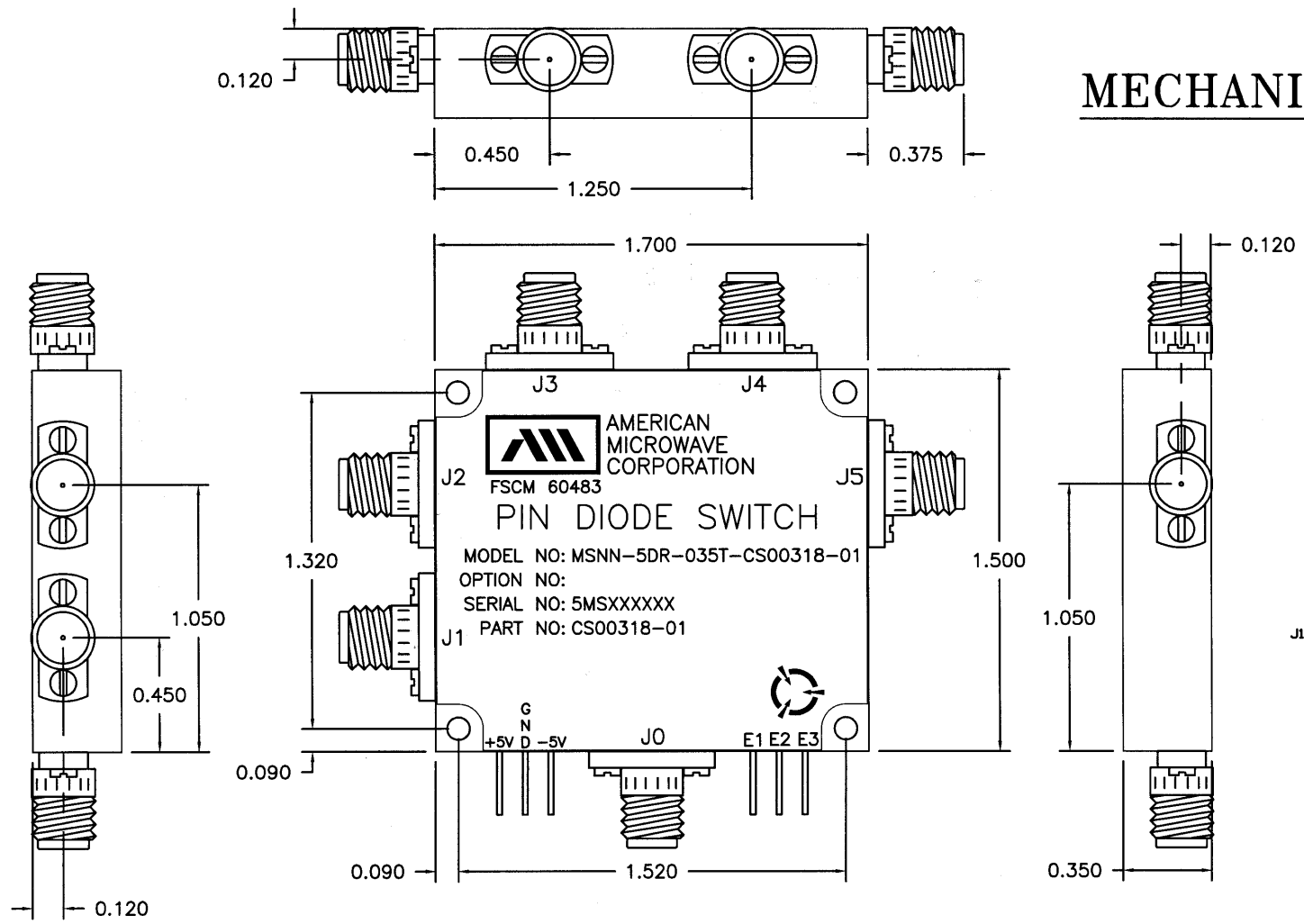
AMC MODEL MSNN-5DR-035T-CS00318-01 IS A SLIM LINE SINGLE POLE FIVE THROW SOLID STATE SWITCH THAT WORKS FROM 0.1 GHZ TO 18 GHZ WITH A BUILT IN TTL DRIVER.

ZONE		REV.	DESCRIPTION	DATE	APPROVED
		-	ORIGINAL RELEASE	5/19/09	

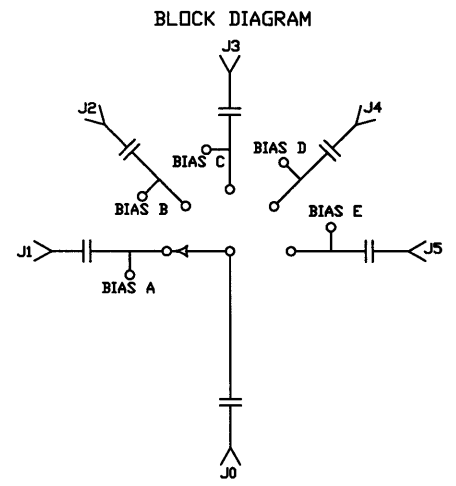
REVISIONS

JOB# 303038E

MECHANICAL OUTLINE



AMERICAN MICROWAVE CORPORATION
FSCM 60483
PIN DIODE SWITCH
 MODEL NO: MSNN-5DR-035T-CS00318-01
 OPTION NO:
 SERIAL NO: 5MSXXXXXX
 PART NO: CS00318-01



CONFIDENTIAL AND PROPRIETARY

ALL DIMENSIONS ARE IN INCHES
 TOLERANCES:
 X.XX ±0.010
 X.XXX ±0.005

PART NO.		AMERICAN MICROWAVE CORPORATION FREDERICK, MARYLAND	
APPROVALS	DATE	TITLE	
DRAWN <i>gdf</i>	5/19/09	OUTLINE DRAWING	
CHECKED		MSNN-5DR-035T-CS00318-01	
ISSUED		SP5T SWITCH	
SIZE	FSCM NO.	DWG NO.	REV.
A	60483	100-6610	-
SCALE	SHEET		2 OF 3
N/A			